

TRAFALGAR



MaxiLite FIRE RATED BULK HEAD SYSTEMS

UTILISING LIGHTWEIGHT 30mm BOARD

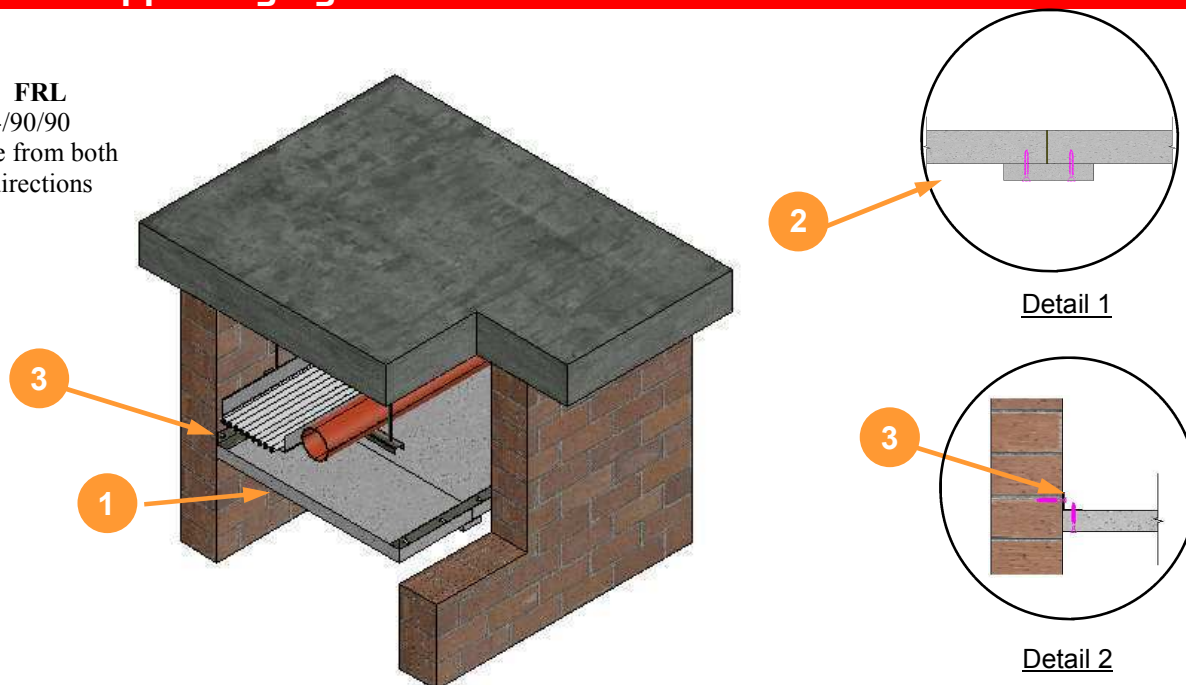
Up to 90 Minutes Fire Protection
(to AS 1530.4- 2005)

Horizontal one-sided bulkheads 30mm thick Maxilite boards, up to 1500mm wide



Self-supporting system

FRL
-/90/90
Fire from both
directions



Key:

- 1 Maxilite boards, 30mm thick
- 2 Cover Strips (Detail 1)
- 3 Steel angles, 50mm x 50mm x 0.8mm (Detail 2)

Maxilite board	30mm thick board for 90 minute fire rating. Boards are joined together using rebate or butt joints incorporating approved fire rated sealant in all joints. Boards are screw-fixed to steel angles at max. 200mm centres.
Corners	Corners fixed to steel angles with self tapping screws at 200mm centres.
Joints	Boards are joined by butt joints incorporating approved fire rated sealant. Cover strips are fixed over the joint.
Cover strips	20 or 30mm Maxilite or 9mm Orbit FR x 100mm wide fixed to outside of joint. Strips are secured to both sides of the joint at max. 200mm centres.
Steel angles	50mm x 50mm x 0.8mm (minimum guage), fixed to masonry, concrete or plasterboard at max. 400mm centres and screw-fixed to boards.
Fixings	<ul style="list-style-type: none"> - Board to board / steel angle: minimum M4 - 70mm self tapping screws at 200mm centres. Allow 10 to 15mm from edges of Maxilite board. - Steel angle to masonry or concrete: minimum M6 anchor bolts at 400mm centres. - Steel angle to plasterboard: minimum M4 - 70mm self tapping screws at 400mm centres.

BULKHEAD — HORIZONTAL

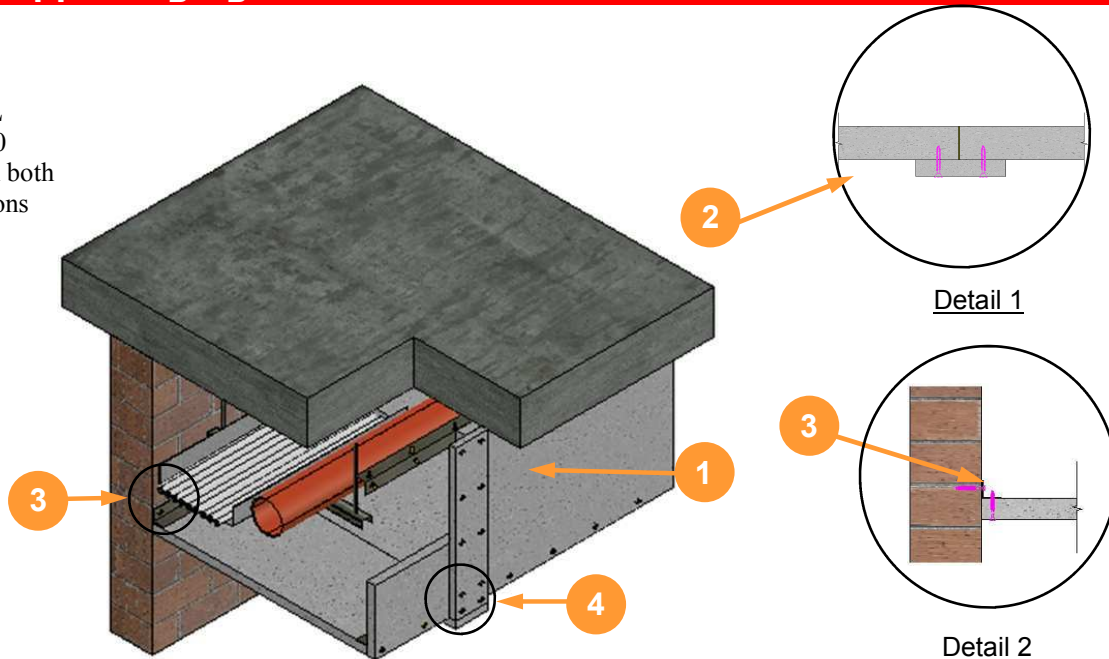
Horizontal two-sided bulkheads

30mm thick Maxilite boards, up to 1500mm x 1500mm



Self-supporting system

FRL
-/90/90
Fire from both directions



Key:

- 1 Maxilite boards, 30mm thick
- 2 Cover Strips (Detail 1)
- 3 Steel angles, 50mm x 50mm x 0.8mm (Detail 2)
- 4 Butt joint

Maxilite board	30mm thick board for 90 minute fire rating. Boards are joined together using rebate or butt joints incorporating approved fire rated sealant in all joints. Boards are screw-fixed to steel angles at max. 200mm centres.
Corners	Corners fixed to steel angles with self tapping screws at 200mm centres.
Joints	Boards are joined by butt joints incorporating approved rated sealant. Cover strips are fixed over the joint.
Cover strips	20 or 30mm Maxilite or 9mm Orbit FR x 100mm wide fixed to outside of joint. Strips are secured to both sides of the joint at max. 200mm centres.
Steel angles	50mm x 50mm x 0.8mm (minimum guage), fixed to masonry, concrete or plasterboard at max. 400mm centres and screw-fixed to boards.
Fixings	<ul style="list-style-type: none"> - Board to board / steel angle: minimum M4 - 70mm self tapping screws at 200mm centres. Allow 10 to 15mm from edges of Maxilite board. - Steel angle to masonry or concrete: minimum M6 anchor bolts at 400mm centres. - Steel angle to plasterboard: minimum M4 - 70mm self tapping screws at 400mm centres.

BULKHEAD — HORIZONTAL

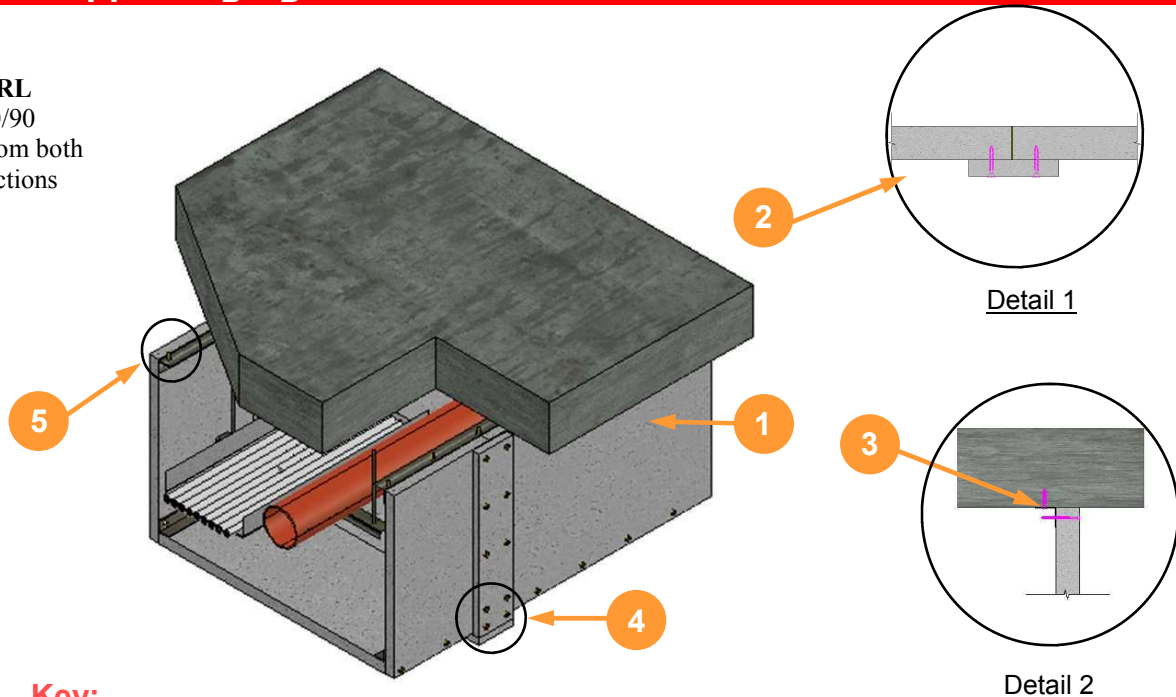
Horizontal three-sided bulkhead

30mm thick Maxilite boards, up to 1500mm x 1500mm



Self-supporting system

FRL
-/90/90
Fire from both
directions

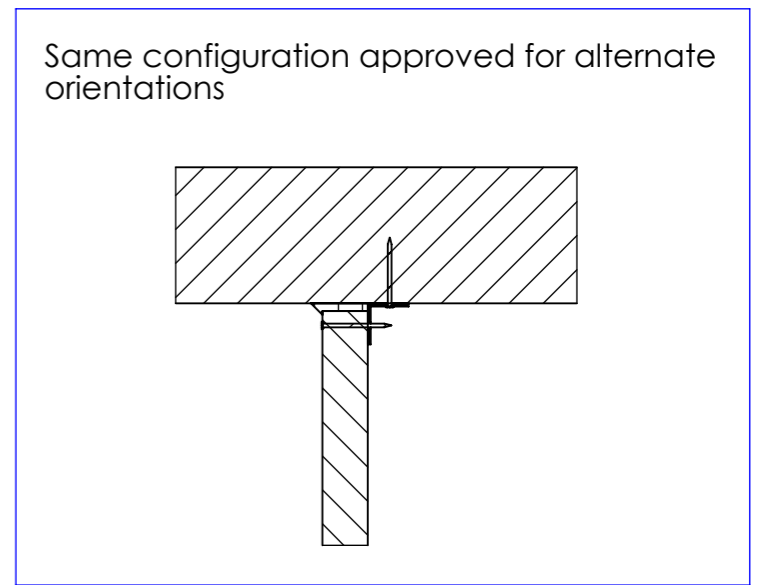
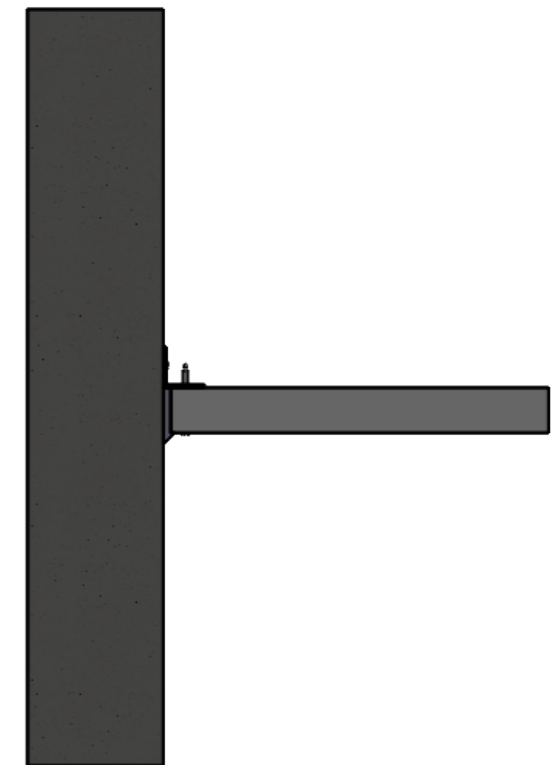
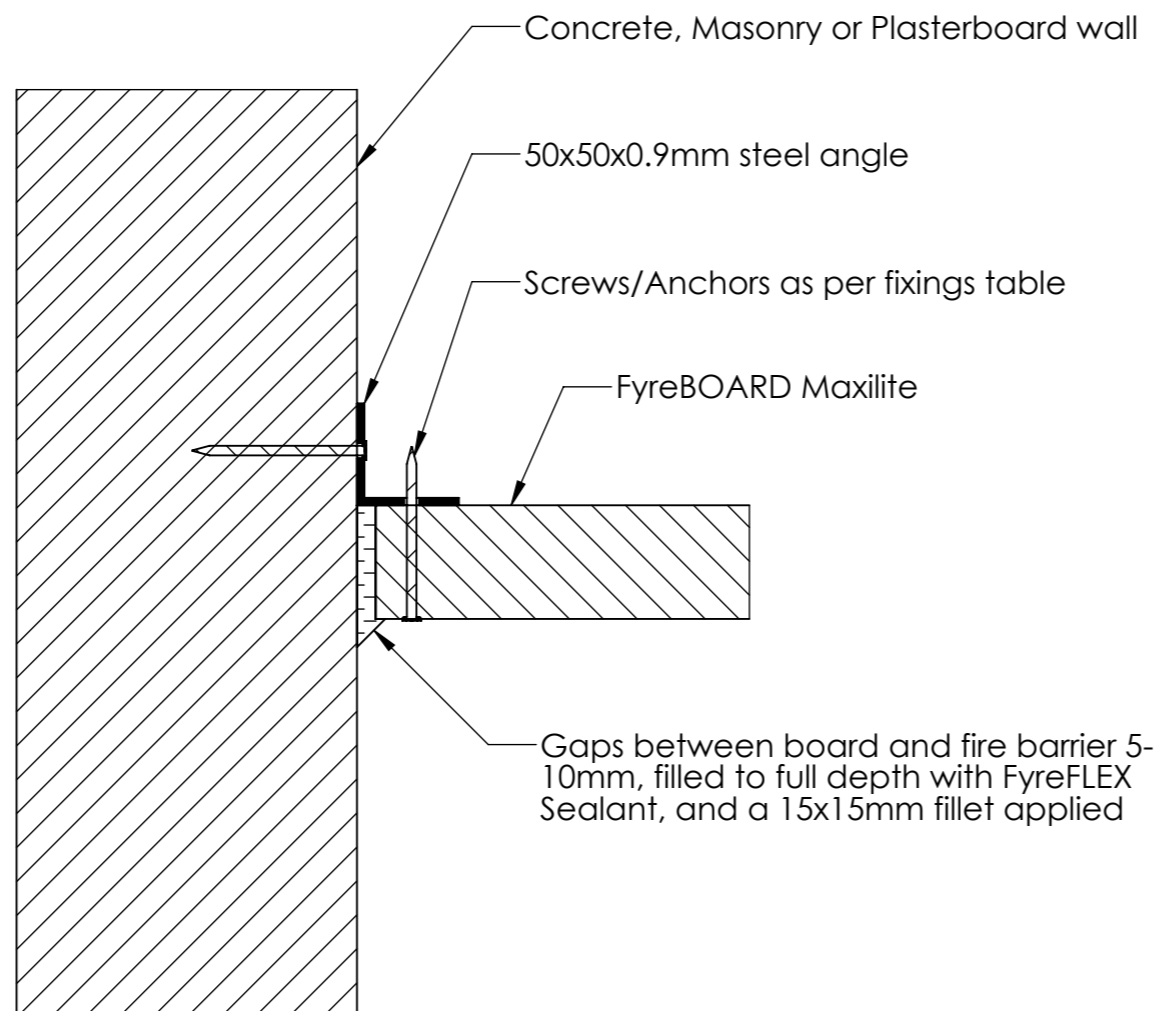


Key:

- 1 Maxilite boards, 30mm thick
- 2 Cover Strips (Detail 1)
- 3 Steel angles, 50mm x 50mm x 0.8mm (Detail 2)
- 4 Butt joint
- 5 Angle fixing details

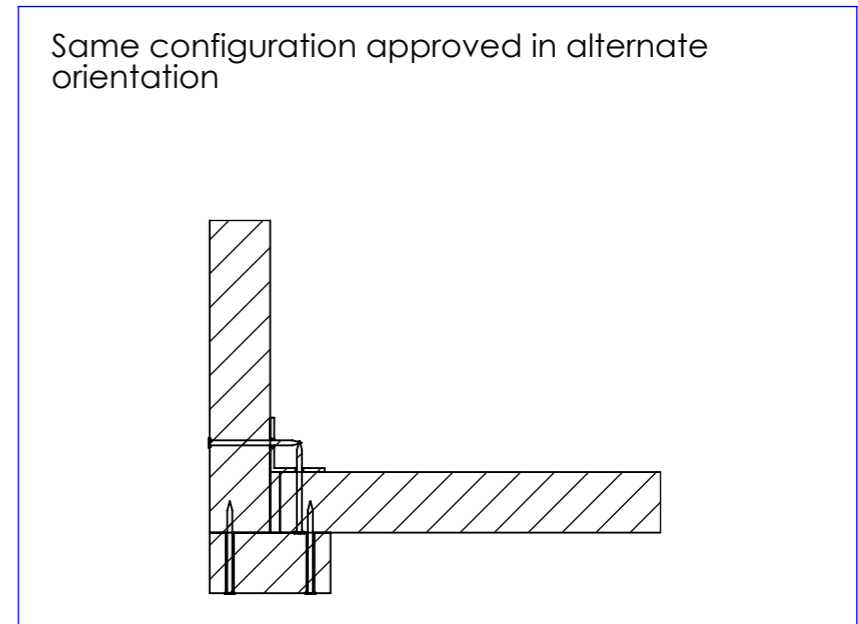
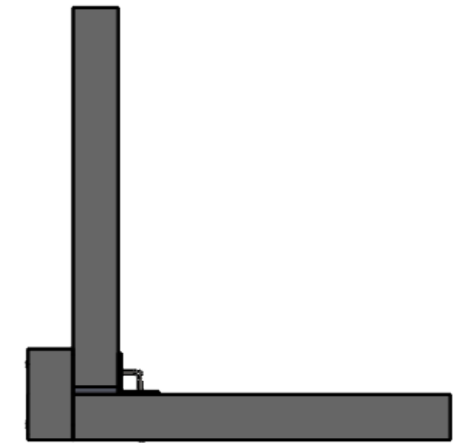
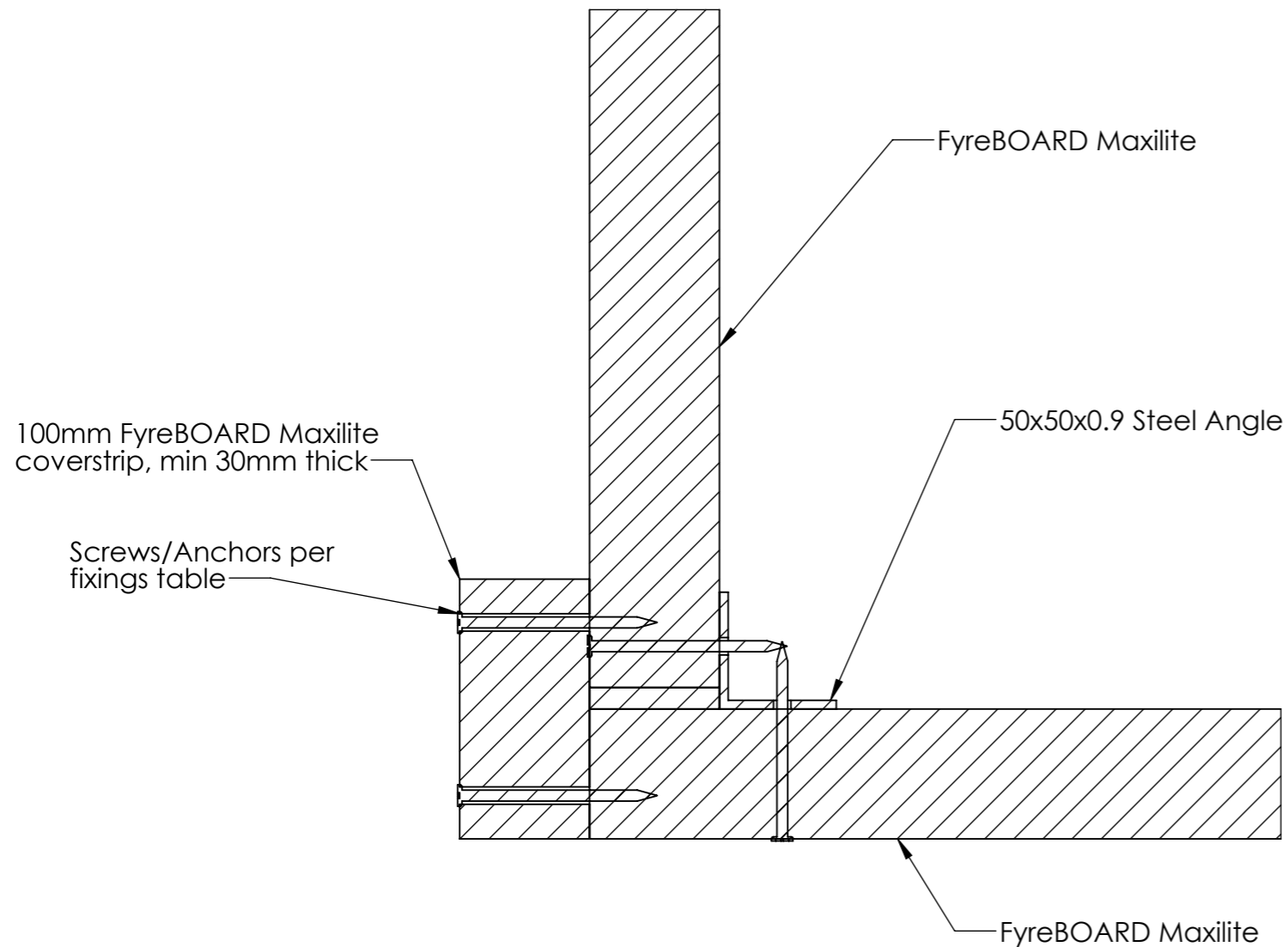
Maxilite board	30mm thick board for 90 minute fire rating. Boards are joined together using rebate or butt joints incorporating approved fire rated sealant in all joints. Boards are screw-fixed to steel angles at max. 200mm centres.
Corners	Corners fixed to steel angles with self tapping screws at 200mm centres.
Joints	Boards are joined by butt joints incorporating approved fire rated sealant. Cover strips are fixed over the joint.
Cover strips	20 or 30mm Maxilite or 9mm Orbit FR x 100mm wide fixed to outside of joint. Strips are secured to both sides of the joint at max. 200mm centres.
Steel angles	50mm x 50mm x 0.8mm (minimum guage), fixed to masonry, concrete or plasterboard at max. 400mm centres and screw-fixed to boards.
Fixings	<ul style="list-style-type: none"> - Board to board / steel angle: minimum M4 - 70mm self tapping screws at 200mm centres. Allow 10 to 15mm from edges of Maxilite board. - Steel angle to masonry or concrete: minimum M6 anchor bolts at 400mm centres. - Steel angle to plasterboard: minimum M4 - 70mm self tapping screws at 400mm centres.

BULKHEAD — HORIZONTAL




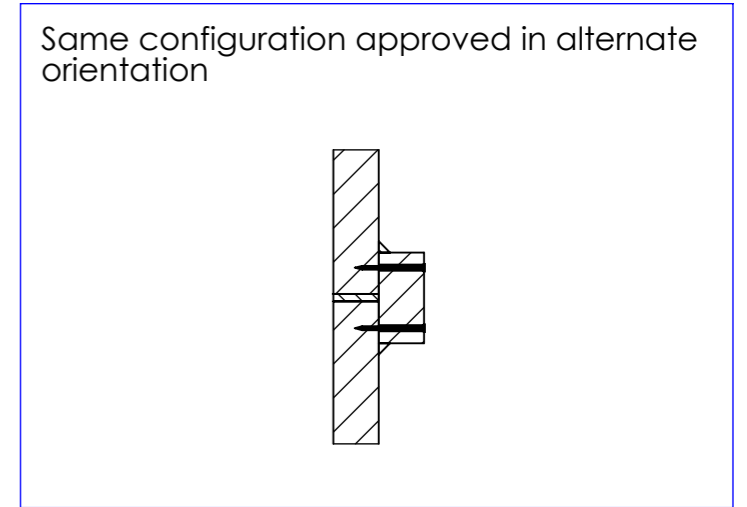
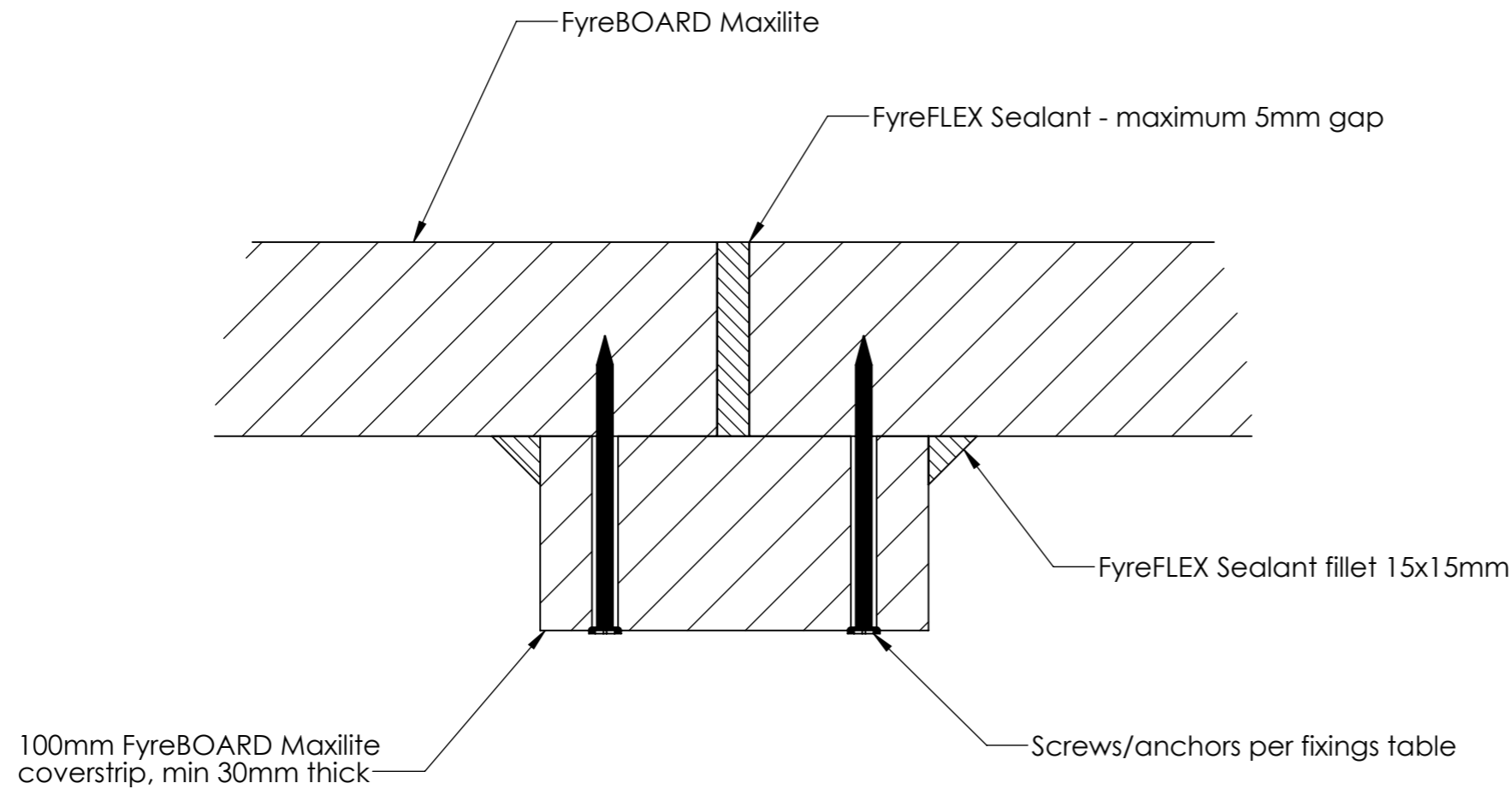
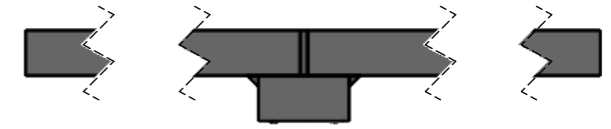
Substrate A	Substrate B	Min Approved Fixing	Recommended Fixing
FyreBOARD Maxilite Board	Steel Angle	Min M4 - Self tapping screws at 200mm centres - length to suit	8g plasterboard screws - length to suit
Steel Angle	Concrete/Masonry Wall	M6 Masonry Anchors at 400mm Centres	M6 Dynabolts or Masonry Screw Anchors

Drawing Name: 90 degree wall joint				Test Standard: AS1530.4	Codes:	Revision:	Date:	No.:	NOTICE:
Project Title: Maxilite Bulkhead Construction Details 20.01.21				Fire resistance level:	Drawn By: SM				
Drawing No. : 1	Sheet: 1 of 4	Date: 20/01/2021	Scale: NTS	Based on Report No.:	Checked By: JH	<input type="checkbox"/> STANDARD DRAWING <input type="checkbox"/> PROJECT DRAWING	<p>TRAFALGAR FIRE</p> <p><small>Trafalgar Head Office: PO BOX 545 Chester Hill NSW 2162 T: 1800 888 714 F: 1800 201 500 E: technical@tgroup.com.au W: www.tfire.com.au</small></p>		
<p>NOTE: ALL DIMENSIONS ARE IN MILLIMETRES (mm)</p>									



Substrate A	Substrate B	Min Approved Fixing	Recommended Fixing
FyreBOARD Maxilite Board	Steel Angle	Min M4 - Self tapping screws at 200mm centres - length to suit	8g plasterboard screws - length to suit
FyreBOARD Maxilite Board	FyreBOARD Maxilite Board	8g Plasterboard Screw at 200mm centres - length to suit	8g plasterboard screws - length to suit

Drawing Name: 90 degree board joint				Test Standard: AS1530.4	Codes:	Revision:	Date:	No.:	NOTICE:
Project Title: Maxilite Bulkhead Construction Details 20.01.21				Fire resistance level:	Drawn By: SM	<small>NOTE: ALL DIMENSIONS ARE IN MILLIMETRES (mm)</small> 			
Drawing No. : 2	Sheet: 2 of 4	Date: 20/01/2021	Scale: NTS	Based on Report No.:	Checked By: JH				
						<small>Trafalgar Head Office:</small> PO BOX 545 Chester Hill NSW 2162 T: 1800 888 714 F: 1800 201 500 E: technical@tgroup.com.au W: www.tfire.com.au			



Substrate A	Substrate B	Min Approved Fixing	Recommended Fixing
FyreBOARD Maxilite	FyreBOARD Maxilite	8g Plasterboard Screw at 200mm centres - length to suit	8g plasterboard screws - length to suit

Drawing Name: Butt joint coverstrip				Test Standard: AS1530.4	Codes:	Revision:	Date:	No.:	NOTICE:
Project Title: Maxilite Bulkhead Construction Details 20.01.21				Fire resistance level:	Drawn By: SM	<input type="checkbox"/> STANDARD DRAWING <input type="checkbox"/> PROJECT DRAWING			
Drawing No. : 3	Sheet: 3 of 4	Date: 20/01/2021	Scale: NTS	Based on Report No.:	Checked By: JH				



Trafalgar Head Office:
 PO BOX 545
 Chester Hill NSW 2162
 T: 1800 888 714
 F: 1800 201 500
 E: technical@tgroup.com.au
 W: www.tfire.com.au

NOTE: ALL DIMENSIONS ARE IN MILLIMETRES (mm)