

# TRAFALGAR



## **MaxiLite** FIRE RATED BULK HEAD SYSTEMS

UTILISING LIGHTWEIGHT 40mm BOARD

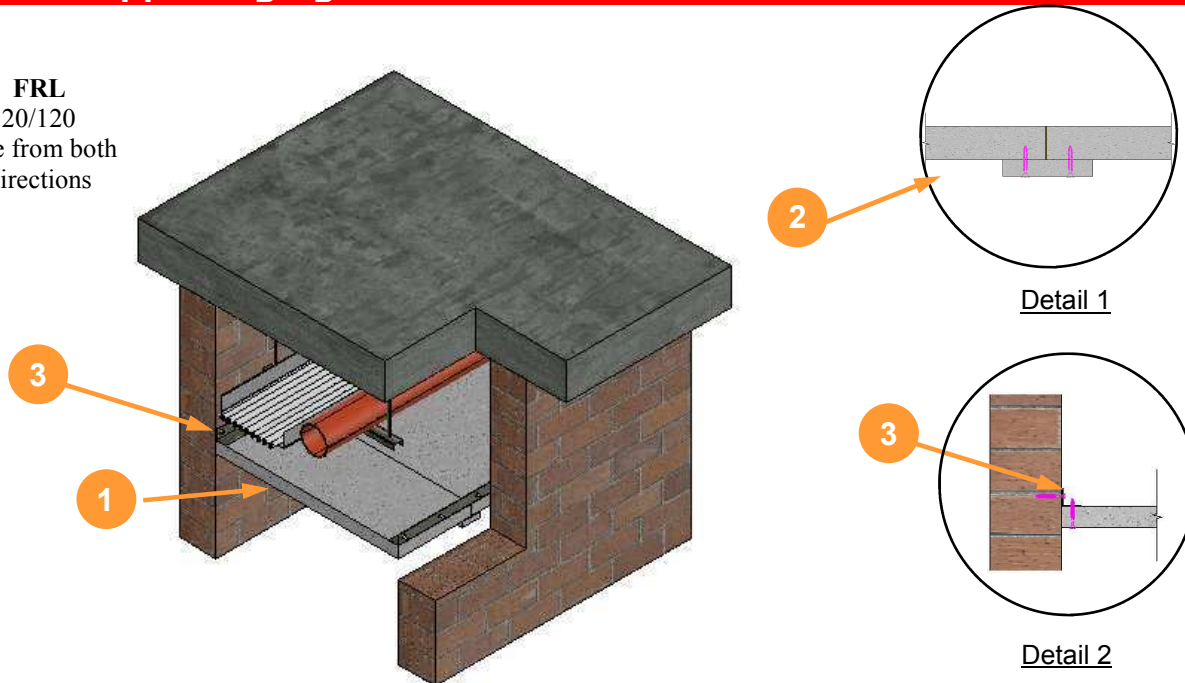
Up to 2 hours Fire Ratings  
(to AS 1530.4-2005)

## Horizontal one-sided bulkheads 40mm thick Maxilite boards, up to 1500mm wide



### Self-supporting system

**FRL**  
-/120/120  
Fire from both  
directions



**Key:**

- 1 Maxilite boards, 40mm thick
- 2 Cover Strips (Detail 1)
- 3 Steel angles, 50mm x 50mm x 0.8mm (Detail 2)

<b>Maxilite board</b>	40mm thick board for 2 hour fire rating. Boards are joined together using rebate or butt joints incorporating approved fire rated sealant in all joints. Boards are screw-fixed to steel angles at max. 200mm centres.
<b>Corners</b>	Corners fixed to steel angles with self tapping screws at 200mm centres.
<b>Joints</b>	Boards are joined by butt joints incorporating approved fire rated sealant. Cover strips are fixed over the joint.
<b>Cover strips</b>	20 or 30mm Maxilite or 9mm Orbit FR x 100mm wide fixed to outside of joint. Strips are secured to both sides of the joint at max. 200mm centres.
<b>Steel angles</b>	50mm x 50mm x 0.8mm (minimum guage), fixed to masonry, concrete or plasterboard at max. 600mm centres and screw-fixed to boards.
<b>Fixings</b>	<ul style="list-style-type: none"> <li>- Board to board / steel angle: minimum M4 - 90mm self tapping screws at 200mm centres. Allow 10 to 15mm from edges of Maxilite board.</li> <li>- Steel angle to masonry or concrete: minimum M6 anchor bolts at 400mm centres.</li> <li>- Steel angle to plasterboard: minimum M4 - 90mm self tapping screws at 400mm centres.</li> </ul>

**Note:** Laminated boards of equivalent thickness can be used. I.e. 2x20mm

BULKHEAD — HORIZONTAL

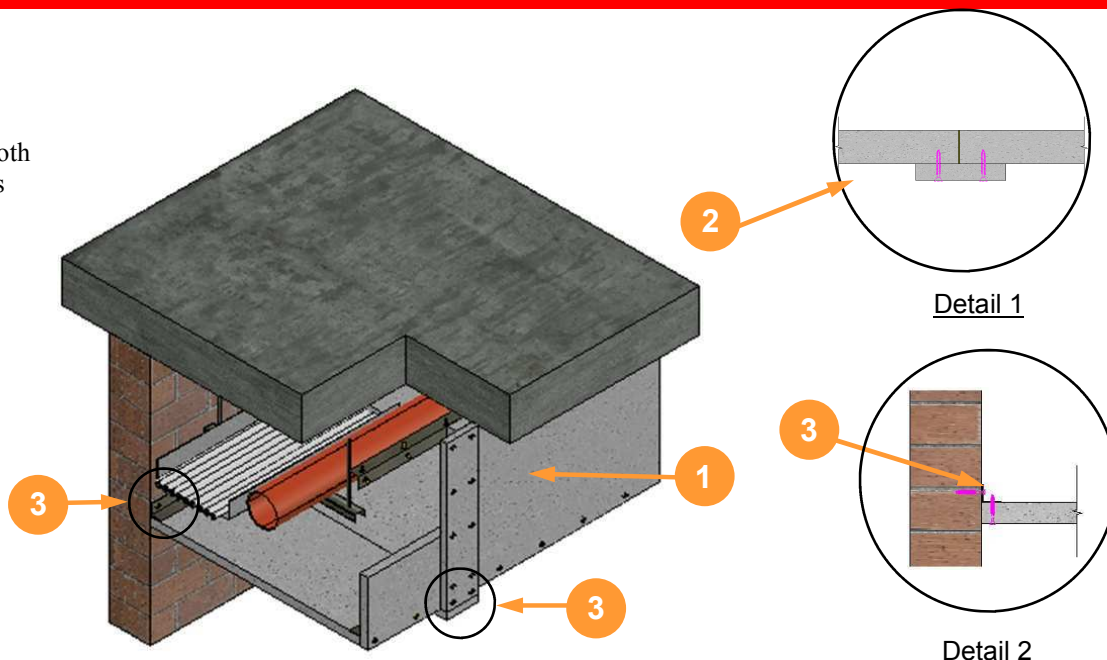
## Horizontal two-sided bulkheads

40mm thick Maxilite boards, up to 1500mm x 1500mm



### Self-supporting system

**FRL**  
-/120/120  
Fire from both  
directions



**Key:**

- 1 Maxilite boards, 40mm thick (or equivalent laminated thickness)
- 2 Cover Strips (Detail 1)
- 3 Steel angles, 50mm x 50mm x 0.8mm (Detail 2)
- 4 Butt joint

<b>Maxilite board</b>	40mm thick board for 2 hour fire rating. Boards are joined together using rebate or butt joints incorporating approved fire rated sealant in all joints. Boards are screw-fixed to steel angles at max. 200mm centres.
<b>Corners</b>	Corners fixed to steel angles with self tapping screws at 200mm centres.
<b>Joints</b>	Boards are joined by butt joints incorporating approved fire rated sealant. Cover strips are fixed over the joint.
<b>Cover strips</b>	20 or 30mm Maxilite or 9mm Orbit FR x 100mm wide fixed to outside of joint. Strips are secured to both sides of the joint at max. 200mm centres.
<b>Steel angles</b>	50mm x 50mm x 0.8mm (minimum gauge), fixed to masonry, concrete or plasterboard at max. 600mm centres and screw-fixed to boards.
<b>Fixings</b>	<ul style="list-style-type: none"> <li>- Board to board / steel angle: minimum M4 - 90mm self tapping screws at 200mm centres. Allow 10 to 15mm from edges of Maxilite board.</li> <li>- Steel angle to masonry or concrete: minimum M6 anchor bolts at 400mm centres.</li> <li>- Steel angle to plasterboard: minimum M4 - 90mm self tapping screws at 400mm centres.</li> </ul>

**Note:** Laminated boards of equivalent thickness can be used. I.e. 2x20mm

**BULKHEAD — HORIZONTAL**

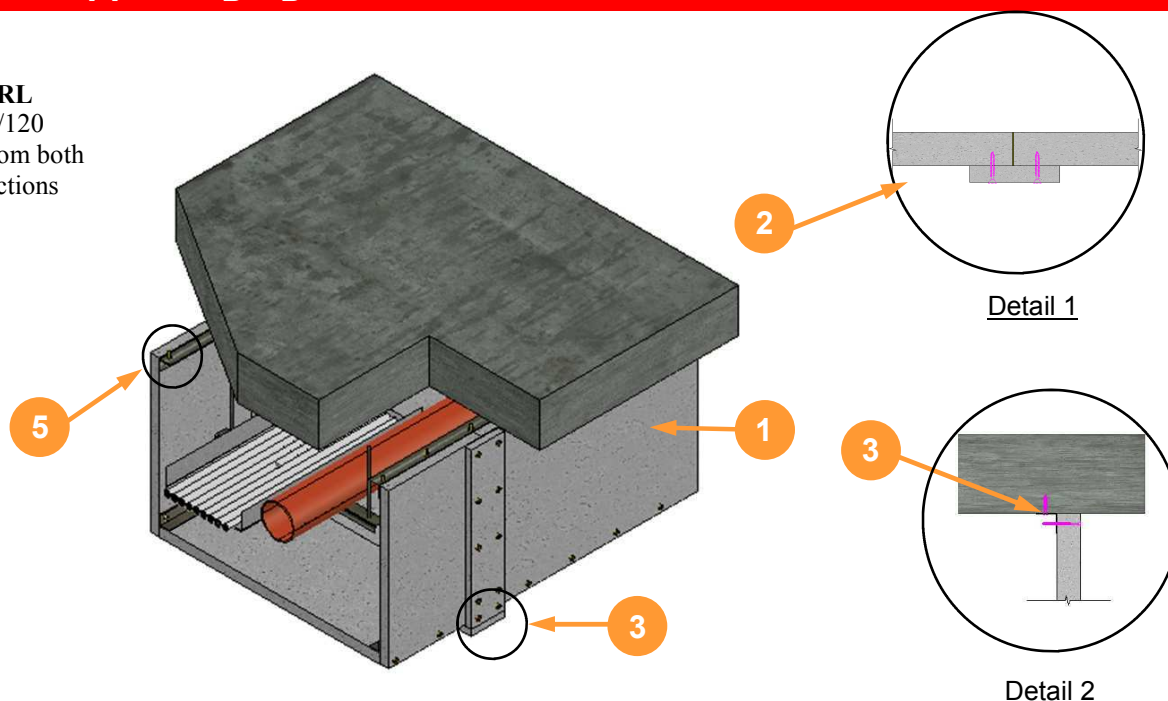
## Horizontal three-sided bulkhead

40mm thick Maxilite boards, up to 1500mm x 1500mm



### Self-supporting system

**FRL**  
-/120/120  
Fire from both  
directions



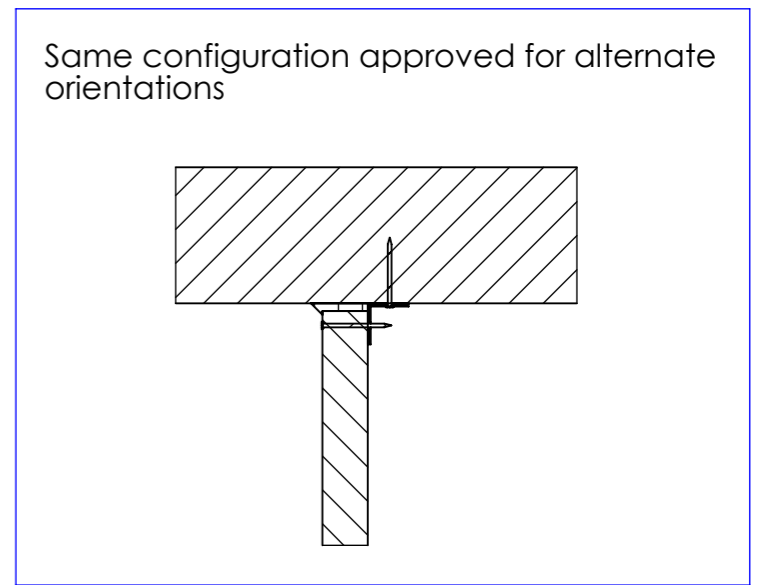
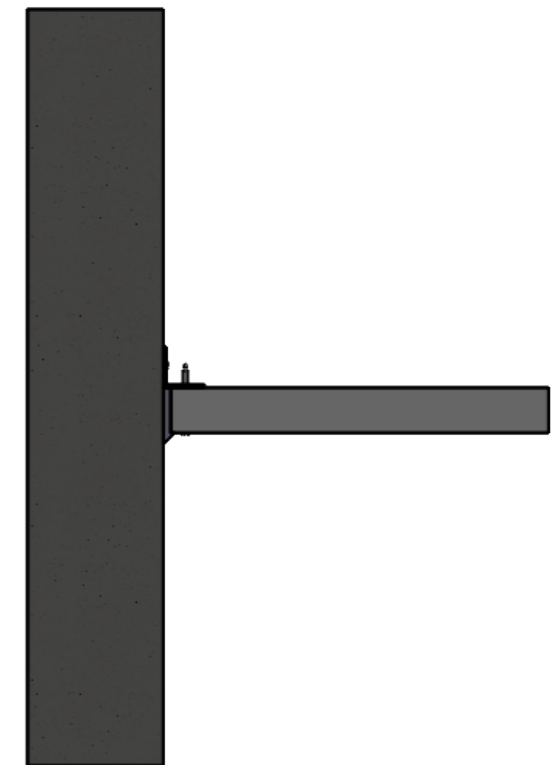
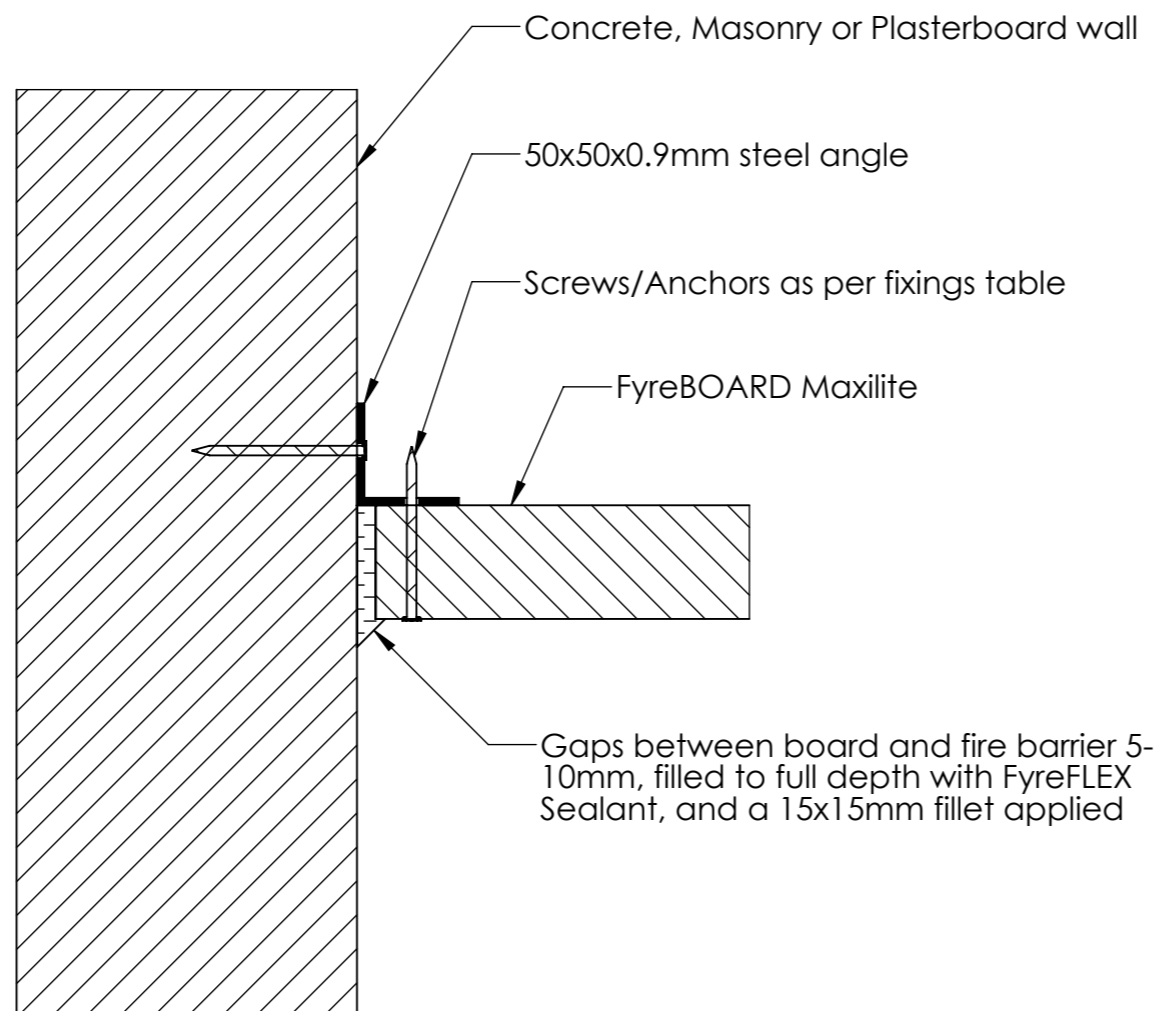
**Key:**

- 1 Maxilite boards, 40mm thick (or equivalent laminated thickness)
- 2 Cover Strips (Detail 1)
- 3 Steel angles, 50mm x 50mm x 0.8mm (Detail 2)
- 4 Butt joint

<b>Maxilite board</b>	40mm thick board for 2 hour fire rating. Boards are joined together using rebate or butt joints incorporating approved fire rated sealant in all joints. Boards are screw-fixed to steel angles at max. 200mm centres.
<b>Corners</b>	Corners fixed to steel angles with self tapping screws at 200mm centres.
<b>Joints</b>	Boards are joined by butt joints incorporating approved fire rated sealant. Cover strips are fixed over the joint.
<b>Cover strips</b>	20 or 30mm Maxilite or 9mm Orbit FR x 100mm wide fixed to outside of joint. Strips are secured to both sides of the joint at max. 200mm centres.
<b>Steel angles</b>	50mm x 50mm x 0.8mm (minimum gauge), fixed to masonry, concrete or plasterboard at max. 600mm centres and screw-fixed to boards.
<b>Fixings</b>	<ul style="list-style-type: none"> <li>- Board to board / steel angle: minimum M4 - 90mm self tapping screws at 200mm centres. Allow 10 to 15mm from edges of Maxilite board.</li> <li>- Steel angle to masonry or concrete: minimum M6 anchor bolts at 400mm centres.</li> <li>- Steel angle to plasterboard: minimum M4 - 90mm self tapping screws at 400mm centres.</li> </ul>

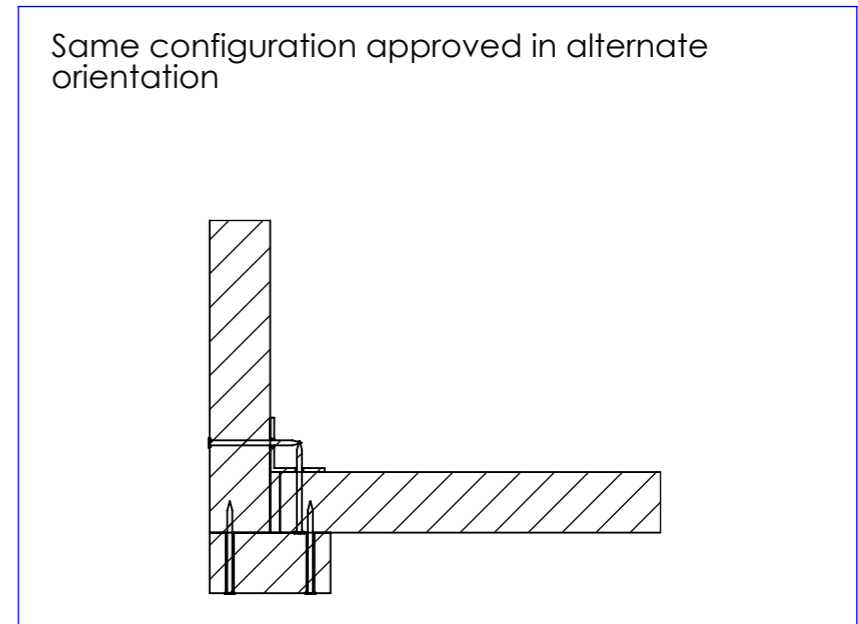
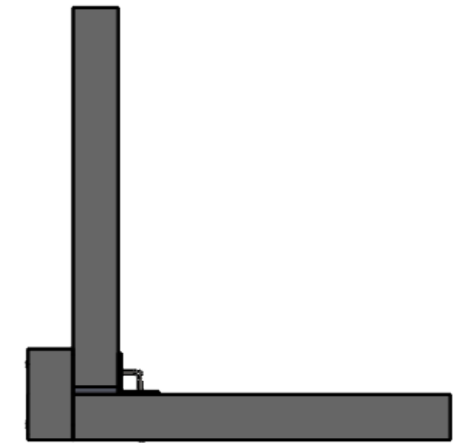
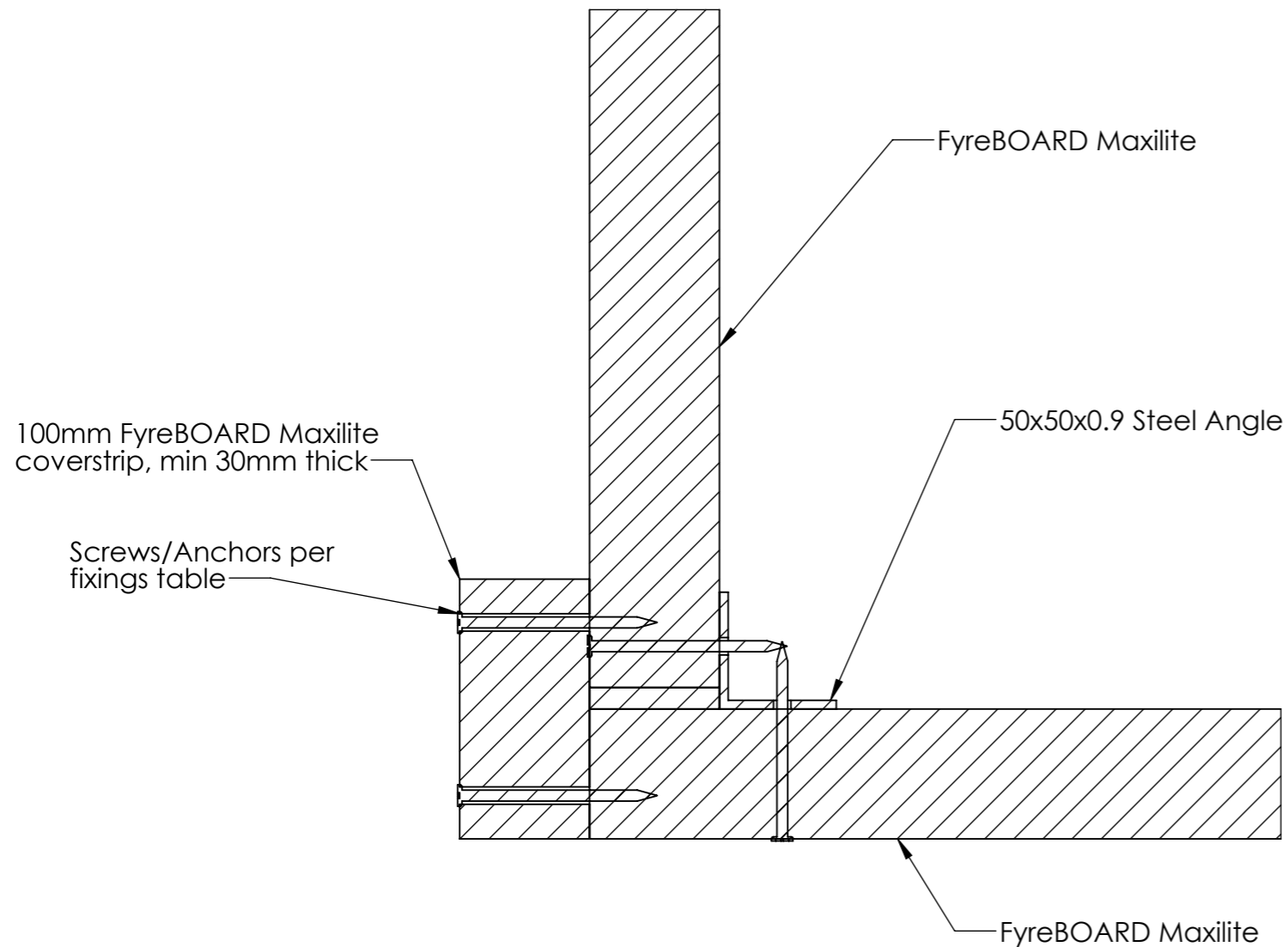
**Note:** Laminated boards of equivalent thickness can be used. I.e. 2x20mm

**BULKHEAD — HORIZONTAL**



Substrate A	Substrate B	Min Approved Fixing	Recommended Fixing
FyreBOARD Maxilite Board	Steel Angle	Min M4 - Self tapping screws at 200mm centres - length to suit	8g plasterboard screws - length to suit
Steel Angle	Concrete/Masonry Wall	M6 Masonry Anchors at 400mm Centres	M6 Dynabolts or Masonry Screw Anchors

<b>Drawing Name:</b> 90 degree wall joint				<b>Test Standard:</b> AS1530.4	<b>Codes:</b>	<b>Revision:</b>	<b>Date:</b>	<b>No.:</b>	<b>NOTICE:</b>
<b>Project Title:</b> Maxilite Bulkhead Construction Details 20.01.21				<b>Fire resistance level:</b>	<b>Drawn By:</b> SM				
<b>Drawing No. :</b> 1	<b>Sheet:</b> 1 of 4	<b>Date:</b> 20/01/2021	<b>Scale:</b> NTS	<b>Based on Report No.:</b>	<b>Checked By:</b> JH	<input type="checkbox"/> STANDARD DRAWING <input type="checkbox"/> PROJECT DRAWING	<p><b>TRAFALGAR FIRE</b></p> <p><small>Trafalgar Head Office: PO BOX 545 Chester Hill NSW 2162 T: 1800 888 714 F: 1800 201 500 E: technical@tgroup.com.au W: www.tfire.com.au</small></p>		
<small>NOTE: ALL DIMENSIONS ARE IN MILLIMETRES (mm)</small>									



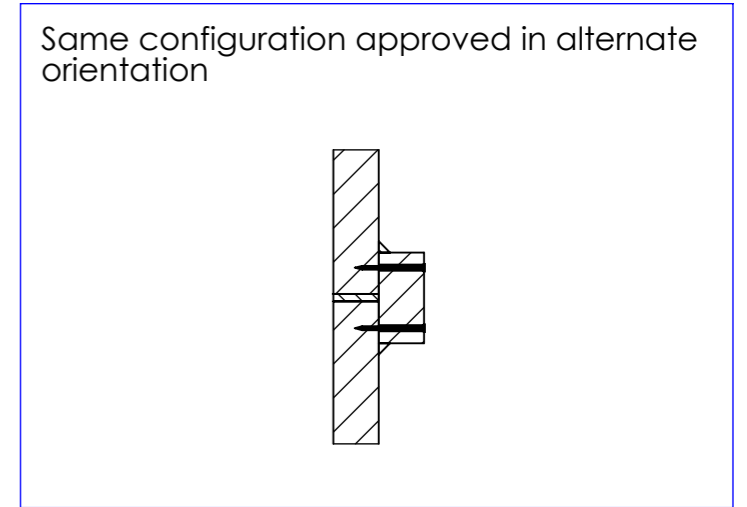
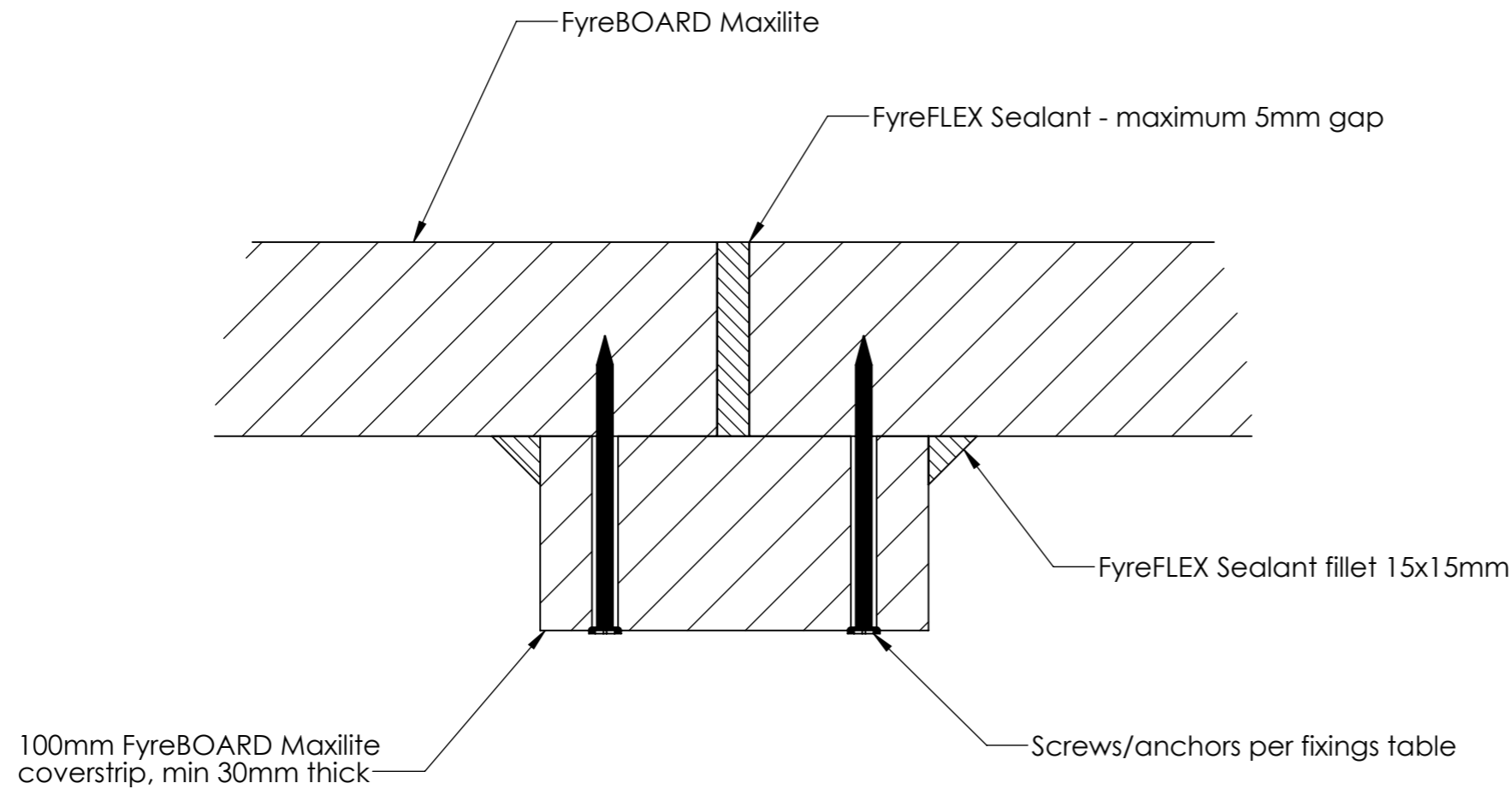
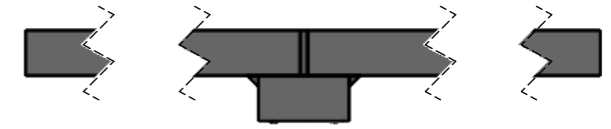
Substrate A	Substrate B	Min Approved Fixing	Recommended Fixing
FyreBOARD Maxilite Board	Steel Angle	Min M4 - Self tapping screws at 200mm centres - length to suit	8g plasterboard screws - length to suit
FyreBOARD Maxilite Board	FyreBOARD Maxilite Board	8g Plasterboard Screw at 200mm centres - length to suit	8g plasterboard screws - length to suit

<b>Drawing Name:</b> 90 degree board joint				<b>Test Standard:</b> AS1530.4	<b>Codes:</b>	<b>Revision:</b>	<b>Date:</b>	<b>No.:</b>	<b>NOTICE:</b>
<b>Project Title:</b> Maxilite Bulkhead Construction Details 20.01.21				<b>Fire resistance level:</b>	<b>Drawn By:</b> SM	<input type="checkbox"/> STANDARD DRAWING <input type="checkbox"/> PROJECT DRAWING			
<b>Drawing No. :</b> 2	<b>Sheet:</b> 2 of 4	<b>Date:</b> 20/01/2021	<b>Scale:</b> NTS	<b>Based on Report No.:</b>	<b>Checked By:</b> JH				



**Trafalgar Head Office:**  
 PO BOX 545  
 Chester Hill NSW 2162  
 T: 1800 888 714  
 F: 1800 201 500  
 E: technical@tgroup.com.au  
 W: www.tfire.com.au

NOTE: ALL DIMENSIONS ARE IN MILLIMETRES (mm)



Substrate A	Substrate B	Min Approved Fixing	Recommended Fixing
FyreBOARD Maxilite	FyreBOARD Maxilite	8g Plasterboard Screw at 200mm centres - length to suit	8g plasterboard screws - length to suit

<b>Drawing Name:</b> Butt joint coverstrip				<b>Test Standard:</b> AS1530.4	<b>Codes:</b>	<b>Revision:</b>	<b>Date:</b>	<b>No.:</b>	<b>NOTICE:</b>
<b>Project Title:</b> Maxilite Bulkhead Construction Details 20.01.21				<b>Fire resistance level:</b>	<b>Drawn By:</b> SM	<input type="checkbox"/> STANDARD DRAWING <input type="checkbox"/> PROJECT DRAWING			
<b>Drawing No. :</b> 3	<b>Sheet:</b> 3 of 4	<b>Date:</b> 20/01/2021	<b>Scale:</b> NTS	<b>Based on Report No.:</b>	<b>Checked By:</b> JH				



**Trafalgar Head Office:**  
 PO BOX 545  
 Chester Hill NSW 2162  
 T: 1800 888 714  
 F: 1800 201 500  
 E: technical@tgroup.com.au  
 W: www.tfire.com.au

NOTE: ALL DIMENSIONS ARE IN MILLIMETRES (mm)